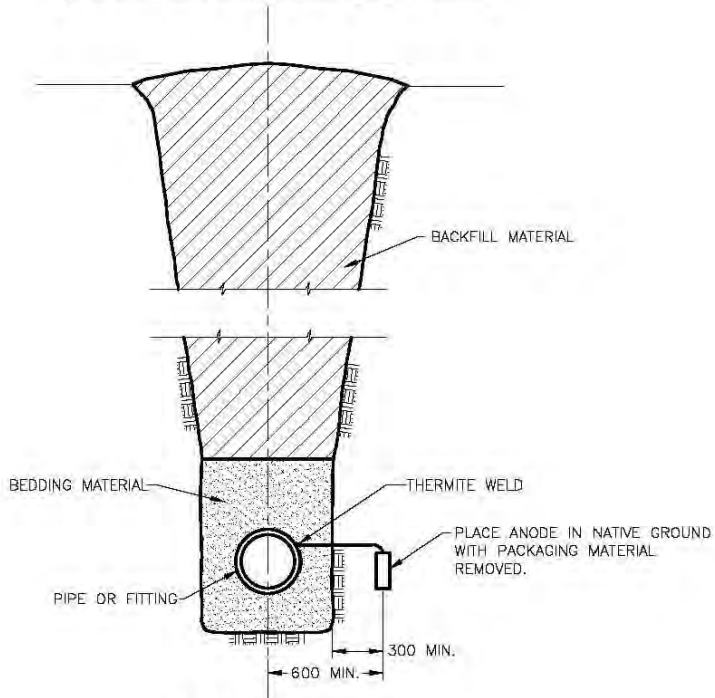


PLAN - ANODE PLACEMENT



ELEVATION A-A

NOTE:
ALL DIMENSIONS SHOWN IN mm
UNLESS OTHERWISE NOTED.

NOTE: WELD ANODES TO INSIDE OF FLANGE OR AT BACK OF
HUB. NO MECHANICAL CONNECTIONS ALLOWED.

THE CORPORATION OF DELTA ENGINEERING DEPARTMENT CATHODIC PROTECTION STANDARD ANODE PLACEMENT				DSN.	DRN.	DWG. No.	
				CHKD.	APVRD.	L 4.8	
				SCALE	N.T.S.		
				DATE	2014-03-13	RVSN.	
REVISIONS							